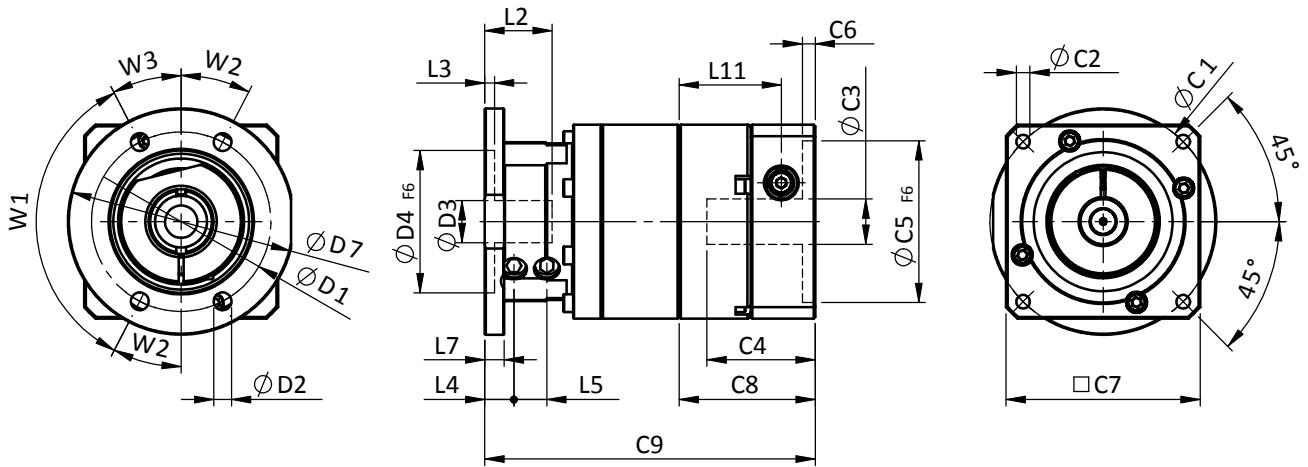


PGW SERIES



PGW Single Stage Dimensions



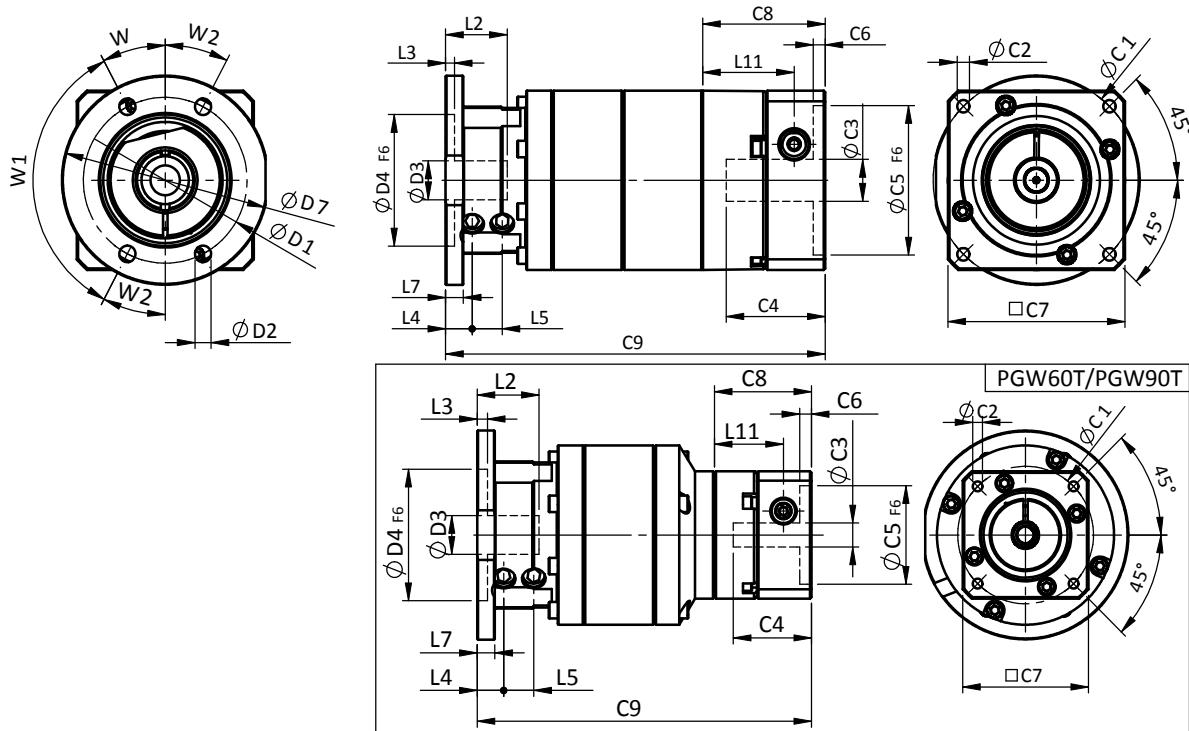
Specifications

Unit:mm

Dimensions	PGW60	PGW90
D1	55.5	73
D2	5.5	5.5
D3	16	20
D4 _{F6}	44	60
D7	70	84
L2	31	31
L3	3.5	3.5
L4	9	10.2
L5	10.2	10.9
L7	6	6
L11	31.6	37.3
W1	125°	90°
W2	27.5°	22.5°
W3	27.5°	67.5°
C1 ²	70	90
C2 ²	M5x0.8P	M6x1.0P
C3 ²	≤14/≤19	≤19/≤24/≤28
C4 ²	33.5	41
C5 ² _{F6}	50	70
C6 ²	4	6
C7 ²	60	90
C8 ²	42.1	51.5
C9 ²	102.2	126.5

★ C1~C9 are motor specific dimensions(metric std shown),
Size may vary according to motor flange.
★ Specification subject to change without notice.

PGW Double Stage Dimensions



Specifications

Unit:mm

Dimensions	PGW60	PGW60T	PGW90	PGW90T
D1		55.5		73
D2		5.5		5.5
D3		16		20
D4 _{F6}		44		60
D7		70		84
L2		31		31
L3		3.5		3.5
L4		9		10.2
L5		10.2		10.9
L7		6		6
L11	31	23.4	37.3	31
W1		125°		90°
W2		27.5°		22.5°
W3		27.5°		67.5°
C1 ²	70	46	90	46
C2 ²	M5x0.8P	M4x0.7P	M6x1.0P	M5x0.8P
C3 ²	≤14/≤19	≤8 /≤11	≤19/≤24/≤28	≤14/≤19
C4 ²	33.5	26.5	41	33.5
C5 ² _{F6}	50	30	70	50
C6 ²	4	4	6	4
C7 ²	60	42.6	90	60
C8 ²	41.5	32.9	51.5	41.5
C9 ²	128.6	113.3	160.3	145.8

★ C1~C9 are motor specific dimensions(metric std shown),
Size may vary according to motor flange.
★ Specification subject to change without notice.

PGW Specifications

Specifications	Stage	Ratio	PGW-60	PGW-90	PGW-115		
Nominal Output Torque T_{2N}	1	3	28	85	200		
		4	32	80	215		
		5	35	95	215		
		7	28	85	200		
		9	23	75	195		
		10	21	65	180		
	2	Stage	Ratio	PGW-60/PGW-60T	PGW-90/PGW-90T	PGW-115T	
		15	35/24	95/68	168		
		20	35/31	95/95	215		
		25	35/30	95/95	215		
		35	35/28	95/95	215		
		45	35/27	95/92	215		
		50	35/27	95/82	205		
		70	28/28	85/85	200		
		90	23/23	75/75	195		
		100	21/21	65/65	180		
		3	Stage	Ratio	PGW-60T	PGW-90T	PGW-115T
			125	35	95	215	
	175		35	95	215		
	225		35	95	215		
	245		35	95	215		
	315		35	95	215		
	405		35	95	215		
	567		28	85	200		
	729		23	75	195		
	1000		21	65	180		
	Emergency Stop Torque T_{2NOT}	N • m (2.5 times of Nominal Output Torque) *Max. Output Torque T_{2B} = 60% of Emergency Stop Torque)					
	Nominal Input Speed n_{1N}	rpm	1,2,3	3-1000	4000	3000	2500
Max. Input Speed n_{1max}	rpm	1,2,3	3-1000	6000	6000	5000	
Standard Backlash P2	arcmin	1	3-10	≤ 8	≤ 7	≤ 6	
		2	15-100	≤ 10	≤ 9	≤ 8	
		3	125~1000	≤ 12	≤ 12	≤ 12	
Operating Temp.	°C	1,2,3	3-1000	-10°C ~ +90°C			
Service Life	hr	1,2,3	3-1000	20,000 (10,000 Continuous operation)			
Efficiency	%	1	3-10	≥ 95%			
		2	15-100	≥ 90%			
		3	125~1000	≥ 85%			
Weight	kg	1	3-10	1.2	2.9	6.4	
		2	15-100	1.6/1.4	4.3/3.2	8.0	
		3	125~1000	1.8	4.6	9.4	
Mounting Position	-	1,2,3	3-1000	Any direction			
Noise Level ²	dBA/1m	1,2,3	3-1000	63	66	67	
Protection Class	-	1,2,3	3-1000	IP 65			
Lubrication	-	1,2,3	3-1000	Synthetic Lubricant			
Inertia (J1)							
Stage	Ratio	unit	PGW-60 (ψ14)	PGW-90 (ψ19)	PGW-115 (ψ24)		
1	3	Kg • cm ²	0.23	0.77	2.30		
	4		0.21	0.67	1.92		
	5~10		0.21	0.61	1.71		
Stage	Ratio		PGW-60 (ψ14) PGW-60T (ψ8)	PGW-90 (ψ19) PGW-90T (ψ14)	PGW-115T (ψ19)		
2	15		0.23/0.04	0.77/0.23	0.77		
	Other ratios		0.21/0.03	0.61/0.21	0.61		
3	All ratios		PGW-60T (ψ8)	PGW-90T (ψ14)	PGW-115T (ψ19)		
				0.03	0.21	0.61	
* 1. Applied to the output shaft center @100rpm. * 2. Measured at 3000rpm with no load. ※ The above figures/specifications are subject to change without prior notice.							

Products due to human error, natural disasters or other factors lead to poor or damaged, will not be covered under warranty.

PHL
PHFR
PHF
PGH
PUR
PUL
PGLH
PGL
PGC
PGE
PGRH
PGR
PGRF
PGF
PBC
PBE
PAE
PAC
PAN
PGS
PGW